

Application

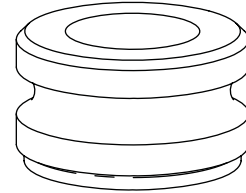
The AV-811 adapter kit enables mounting of TAC Forta[®] M310 series, M400 series, M800 series, and M1500 actuators to TAC VB-7xxx series valves.

▼ **WARNING**

- Depressurize the valve before removing the existing actuator and linkage and check integrity of the valve stem and plug by moving the stem up and down. If the valve stem and plug have been damaged, stem may blow out under pressure and cause injury and equipment damage.

▼ **CAUTION**

Do not remove the packing cap from the valve.



Applicable Literature

- *TAC Valve Catalog*, F-27414
- *Forta Handbook*, 0-004-7804
- *Forta Installation Instructions*, 0FL-4006

Tools Needed

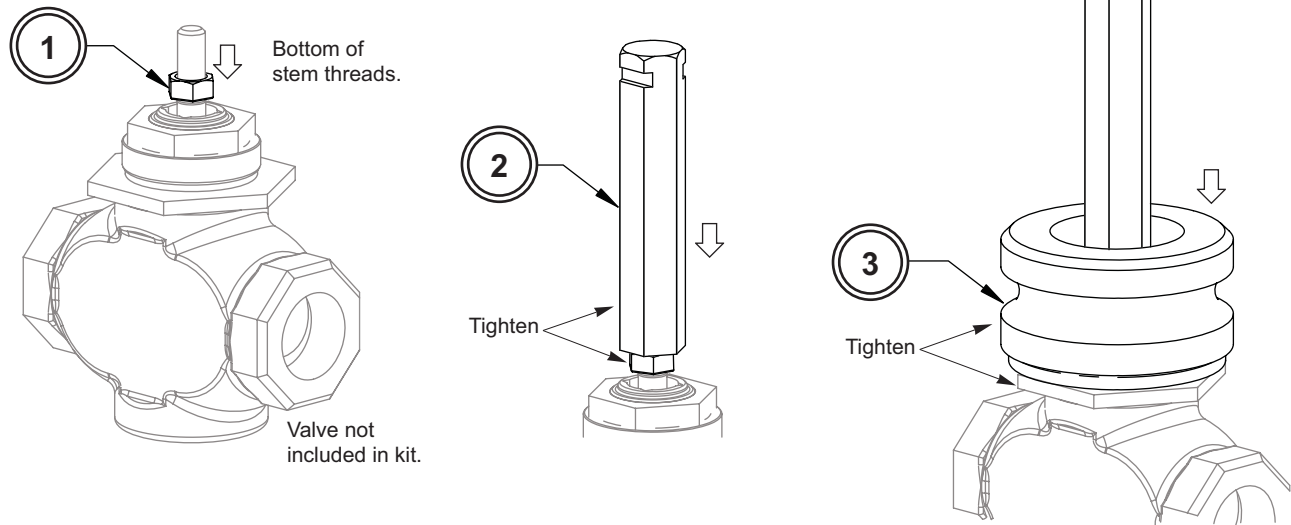
- 5/16" wrench or TOOL-20-1
- 7/16" wrench
- M-370 wrench

Maintenance Parts

Actuator and linkage maintenance parts may be obtained from TAC.

Installation

Remove the AV-811 components from the bag and install the jam nut (1) all the way to the bottom of the stem threads. Install the stem extension (2) until it makes contact with the jam nut and tighten using 5/16" wrench (or TOOL-20-1) and 7/16" wrench. Install the bonnet adapter (3) to the valve nut. Firmly hold the bonnet adapter and tighten the valve nut



After the AV-811 adapter is installed, install the selected actuator and linkage (if required) according to the actuator installation instructions.

© Copyright 2008 TAC

All brand names, trademarks and registered trademarks are the property of their respective owners. Information contained within this document is subject to change without notice. All rights reserved.

TAC
1354 Clifford Avenue
P.O. Box 2940
Loves Park, IL 61132-2940
www.tac.com

F-27442-3

t.a.c.[®]
by Schneider Electric